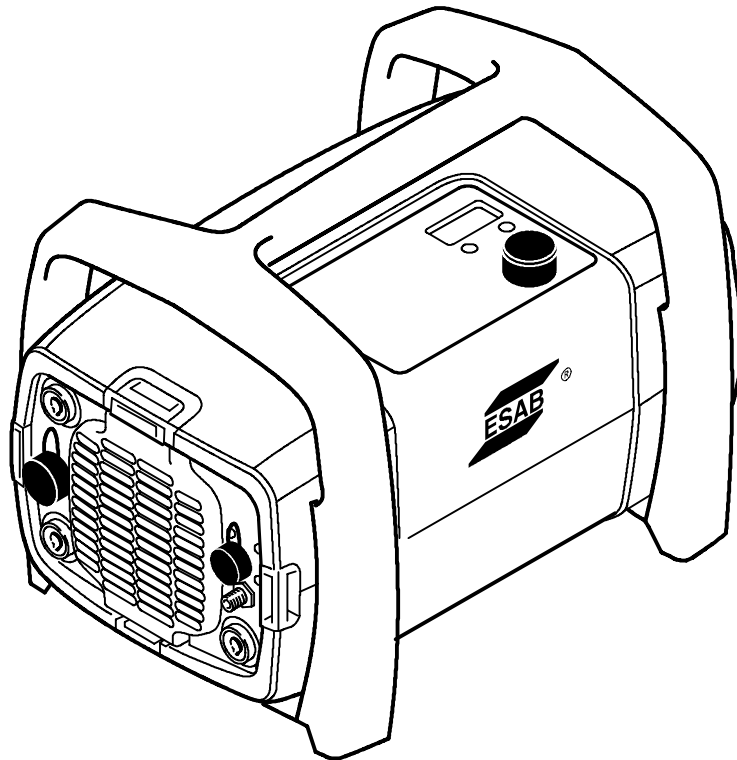


## Spare parts list

Edition 060831



Valid for serial no. 316-xxx-xxxx, 328-xxx-xxxx, 341-xxx-xxxx, 402-xxx-xxxx, 613-xxx-xxxx, 620-xxx-xxxx

The CaddyTig 150 and CaddyTig 200 power sources are renamed:

| <b>New name</b> | <b>Old name</b> |
|-----------------|-----------------|
| Caddy™ Tig 150i | CaddyTig 150    |
| Caddy™ Tig 200i | CaddyTig 200    |

### **Ordering no. Product**

|              |   |
|--------------|---|
| 0459 199 881 | Caddy™ Tig 150i, TA34 for 230 V mains voltage                         |
| 0459 199 888 | Caddy™ Tig 150i, TA34 for 230 V mains voltage, North American version |
| 0459 199 883 | Caddy™ Tig 200i, TA34 for 230 V mains voltage                         |

Spare parts are to be ordered through the nearest ESAB agency. Kindly indicate type of unit, serial number, denominations and ordering numbers according to the spare parts list.

Maintenance and repair work should be performed by an experienced person, and electrical work only by a trained electrician. Use only recommended spare parts.

Rights reserved to alter specifications without notice.

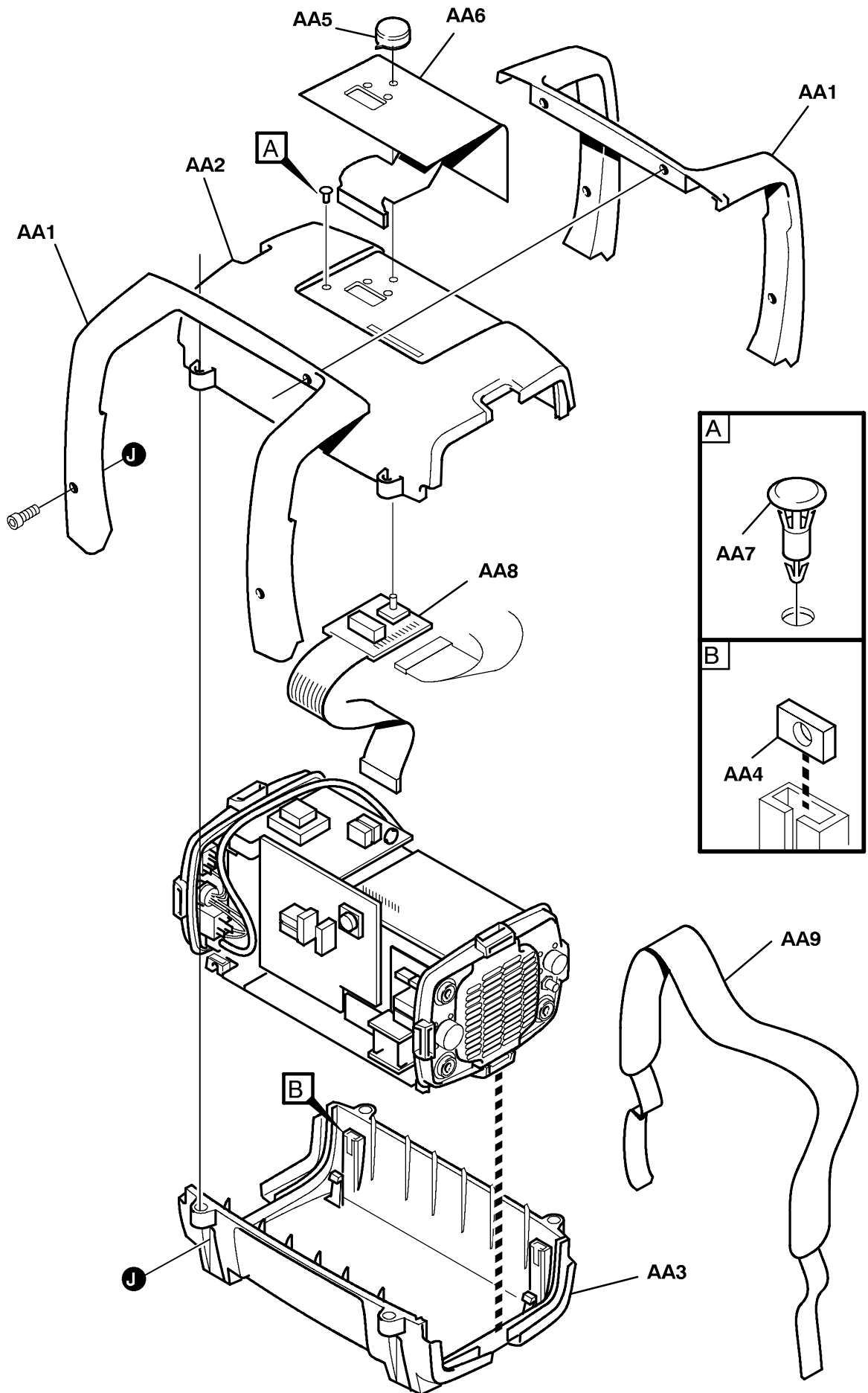
**Caddy Tig 150i, Caddy Tig 200i, CaddyTig 150, CaddyTig 200**

**C = component designation in the circuit diagram**

| Item | Qty | Ordering no. | Denomination  | Notes                 | C    |
|------|-----|--------------|---------------|-----------------------|------|
| AA1  | 2   | 0459 175 001 | Handle        |                       |      |
| AA2  | 1   |              | Top casing    | Included in item AA50 |      |
| AA3  | 1   | 0459 167 001 | Bottom casing |                       |      |
| AA4  | 8   | 0366 588 001 | Nut           |                       |      |
| AA5  | 1   | 0321 475 893 | Knob          | Included in item AA50 |      |
| AA6  | 1   |              | Control Panel | Included in item AA50 | 1AP1 |
| AA7  |     |              | Spacer        | Included in item AA50 |      |
| AA8  | 1   | 0487 018 880 | Display board | Included in item AA50 | 1AP2 |
| AA9  | 1   | 0459 367 880 | Strap         | Accessory             |      |

**SPARE PARTS SET**

| Item | Ordering no. | Denomination       | Notes                                   |
|------|--------------|--------------------|---|
| AA50 | 0459 388 881 | Top Casing and MMC | Includes items: AA2, AA5, AA6, AA7, AA8 |



AH 0618

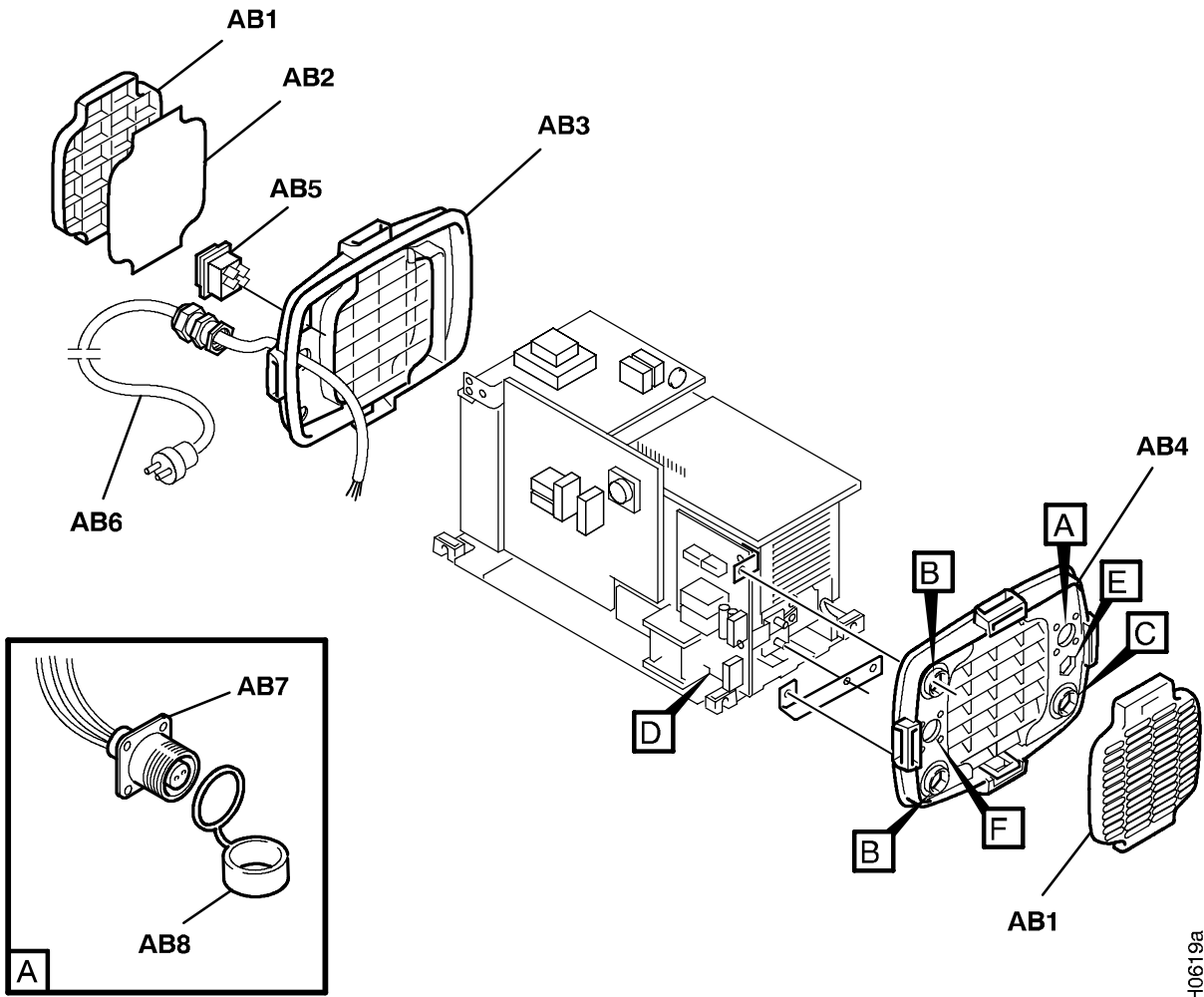
**Caddy Tig 150i, Caddy Tig 200i, CaddyTig 150, CaddyTig 200**

**C = component designation in the circuit diagram**

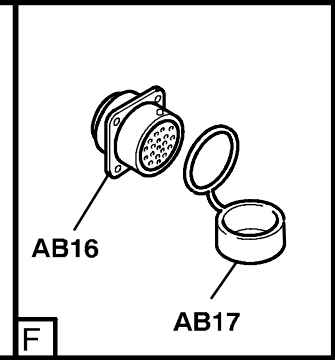
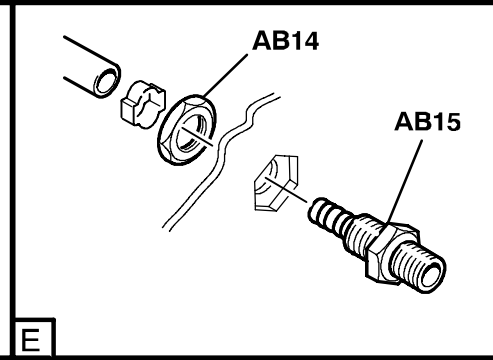
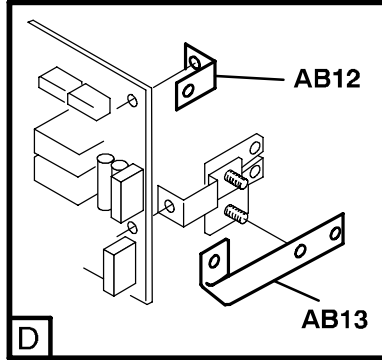
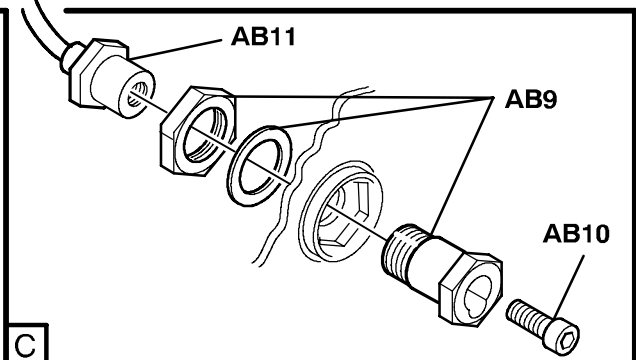
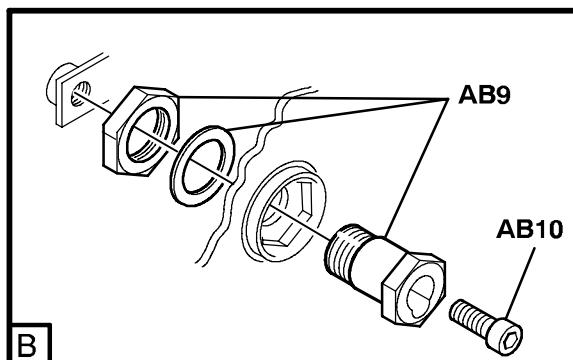
| Item | Qty | Ordering no. | Denomination     | Notes  | C                      |
|------|-----|--------------|------------------|--|------------------------|
| AB1  | 2   | 0459 165 001 | Grille           | Included in item AB51  |                        |
| AB2  | 1   | 0459 277 001 | Filter           |  |                        |
| AB3  | 1   | 0459 166 001 | Panel right      |  |                        |
| AB4  | 1   |              | Panel left       | Included in item AB51  |                        |
| AB5  | 1   | 0193 317 001 | Switch           | Included in item AB50  | 2QF1                   |
| AB6  | 1   |              | Cord set         | Included in item AB50  |                        |
| AB7  | 1   |              | Socket           | 2 pole, with cable set and sockets 29XS6, 29XS8<br>Included in item AB51 | 29XS4                  |
| AB8  | 1   |              | Cap              | Included in item AB51  |                        |
| AB9  | 3   | 0366 306 883 | Connector OKC 25 | Included in item AB51  | 29XS1, 29XS2,<br>29XS3 |
| AB10 | 3   |              | Screw            | M5x12 Torx. Included in item AB51  |                        |
| AB11 | 1   |              | Cable shoe       | Included in item AD4, see page 8   |                        |
| AB12 | 1   | 0459 194 004 | Busbar, positive |  |                        |
| AB13 | 1   | 0459 194 005 | Busbar, negative |  |                        |
| AB14 | 1   |              | Nut              | Included in item AB51  |                        |
| AB15 | 1   |              | Gas connection   | Included in item AB51  |                        |
| AB16 | 1   |              | Socket           | 12 pole, with cable set and socket 29XS7.<br>Included in item AB51       | 29XS5                  |
| AB17 | 1   |              | Cap              | Included in item AB51  |                        |

**SPARE PARTS SETS**

| Item | Ordering no. | Denomination         | Notes   |
|------|--------------|----------------------|---|
| AB50 | 0459 183 880 | Mains module         | Includes items: AB5 switch, AB6 mains cable (3m 3x2.5mm <sup>2</sup> ) with plug, cable clamp and two ferrite rings 2L1.            |
|      | 0459 183 883 | Mains module         | North American version, includes items: AB5 switch, AB6 mains cable (3m 3x14 AWG) with plug, cable clamp and two ferrite rings 2L1. |
| AB51 | 0459 387 881 | Panel left, complete | Include items: AB1, AB4, AB7, AB8, AB9, AB10, AB14, AB15, AB16, AB17  |



AH0619a



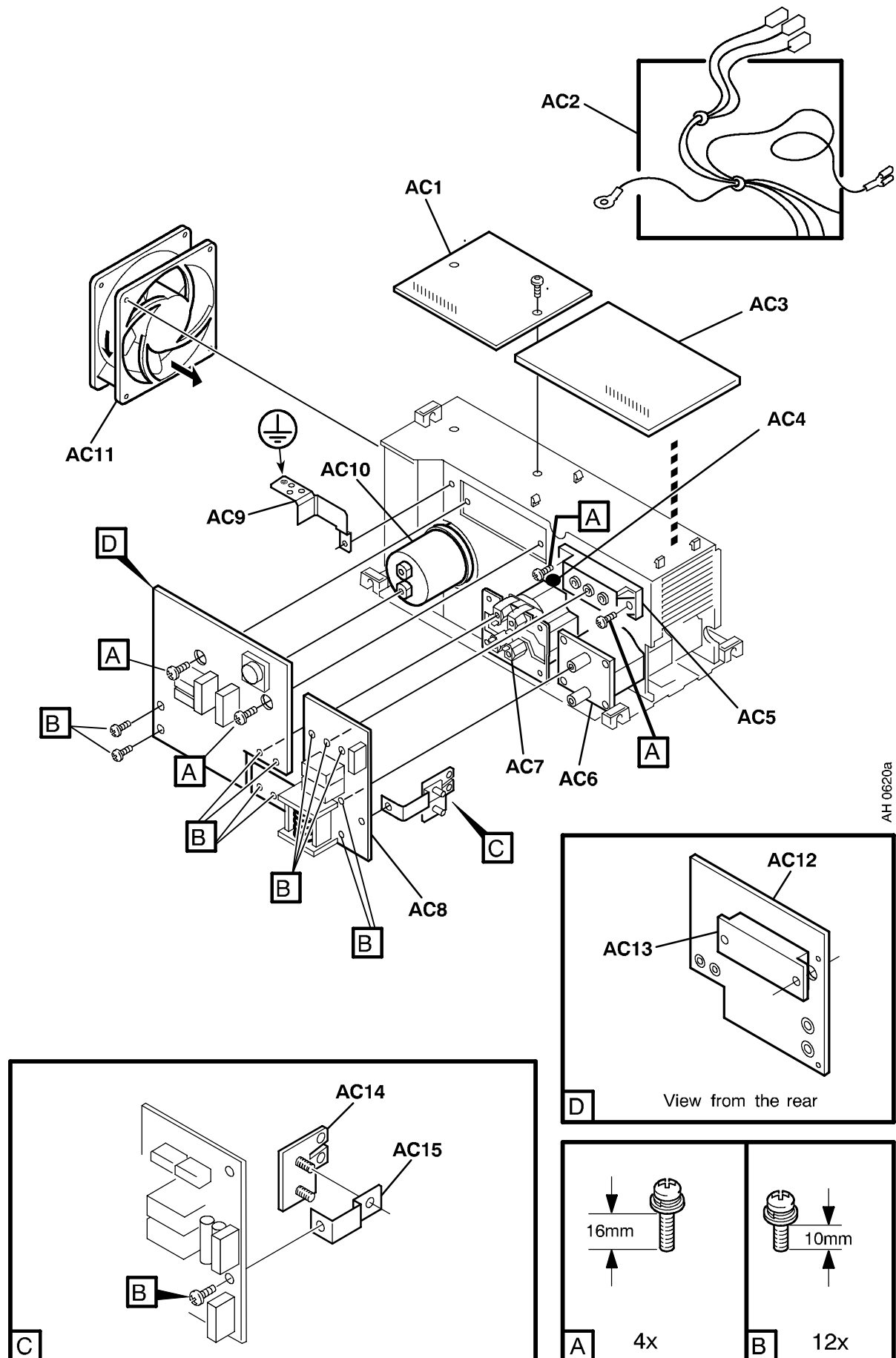
**Caddy Tig 150i, Caddy Tig 200i, CaddyTig 150, CaddyTig 200**

**C = component designation in the circuit diagram**

| Item | Qty 150 | Qty 200 | Ordering no. | Denomination         | Notes  | C                          |
|------|---------|---------|--------------|----------------------|--|----------------------------|
| AC1  | 1       | 1       | 0487 064 880 | Power supply board   |  | 2AP1                       |
| AC2  | 1       | 1       | 0459 280 880 | Cable set            | Including wires 1501, 1502 and their sockets   | 15XS1, 15XS2, 15XS7, 15XS8 |
|      | 1       | 1       | 0193 700 702 | Cable set            |  | 20XS3, 20XS4               |
|      | 1       | 1       | 0459 280 881 | Cable set            |  | 20XS1, 20XS2, 20XS5        |
| AC3  | 1       | 1       | 0459 390 881 | Control board kit    | Before mounting the board, the strapping must be set up to fit CaddyTig 150i or CaddyTig 200i. See the service manual. | 20AP1                      |
| AC4  | 1       |         | 0468 940 004 | Thermal switch       | Socket connector 15XS5 included  | 15ST2                      |
|      |         | 1       | 0468 940 005 | Thermal switch       | Socket connector 15XS5 included  | 15ST2                      |
| AC5  | 1       | 1       |              | Diode module         | See item AC50  | 15D1                       |
| AC6  | 1       | 1       | 0459 177 001 | Inductor             |  | 15L1                       |
| AC7  | 1       | 1       | 0459 355 880 | Transformer          | Includes: main transformer, socket 15XS4, socket 15XS6, thermal switch 15ST1   | 15TM1                      |
| AC8  |         |         | 0487 060 880 | Secondary board      |  | 15AP2                      |
| AC9  | 1       | 1       | 0459 273 001 | Earth bracket        |  |                            |
| AC10 | 1       |         | 0194 158 001 | Capacitor            | 1000 uF 400 V DC   | 15C1                       |
|      |         | 1       | 0194 158 002 | Capacitor            | 2000 uF 400 V DC   | 15C1                       |
| AC11 | 1       |         | 0467 801 002 | Fan                  | 24 V DC; With cables and socket 15XS3  | 15EV1                      |
| AC11 |         | 1       | 0458 065 002 | Fan                  | 24 V DC; With cables and socket 15XS3  | 15EV1                      |
| AC12 | 1       | 1       |              | Circuit board        | See item AC51  | 15AP1                      |
| AC13 | 1       | 1       |              | Semiconductor module | See item AC51  |                            |
| AC14 | 1       | 1       | 0468 030 880 | Shunt                |  | 15RS1                      |
| AC15 | 1       | 1       | 0459 194 001 | Busbar               |  |                            |

**SPARE PARTS SETS**

| Item | Qty 150 | Qty 200 | Ordering no. | Denomination     | Notes  |
|------|---------|---------|--------------|------------------|--|
| AC50 | 1       |         | 0459 385 880 | Diode module kit | Includes: item AC5 diode module, screws (type A and B), thermal compound and roller.                                 |
|      |         | 1       | 0459 385 881 | Diode module kit | Includes: item AC5 diode module, screws (type A and B), thermal compound and roller.                                 |
| AC51 | 1       |         | 0459 384 880 | Power board kit  | Includes: item AC12 power board, item AC13 semiconductor module, screws (type A and B), thermal compound and roller. |
|      |         | 1       | 0459 384 881 | Power board kit  | Includes: item AC12 power board, item AC13 semiconductor module, screws (type A and B), thermal compound and roller. |
| -    |         |         | 0458 910 002 | Roller handle    | For the roller in the spare parts sets above   |
| -    |         |         | 0192 058 101 | Thermal compound |  |

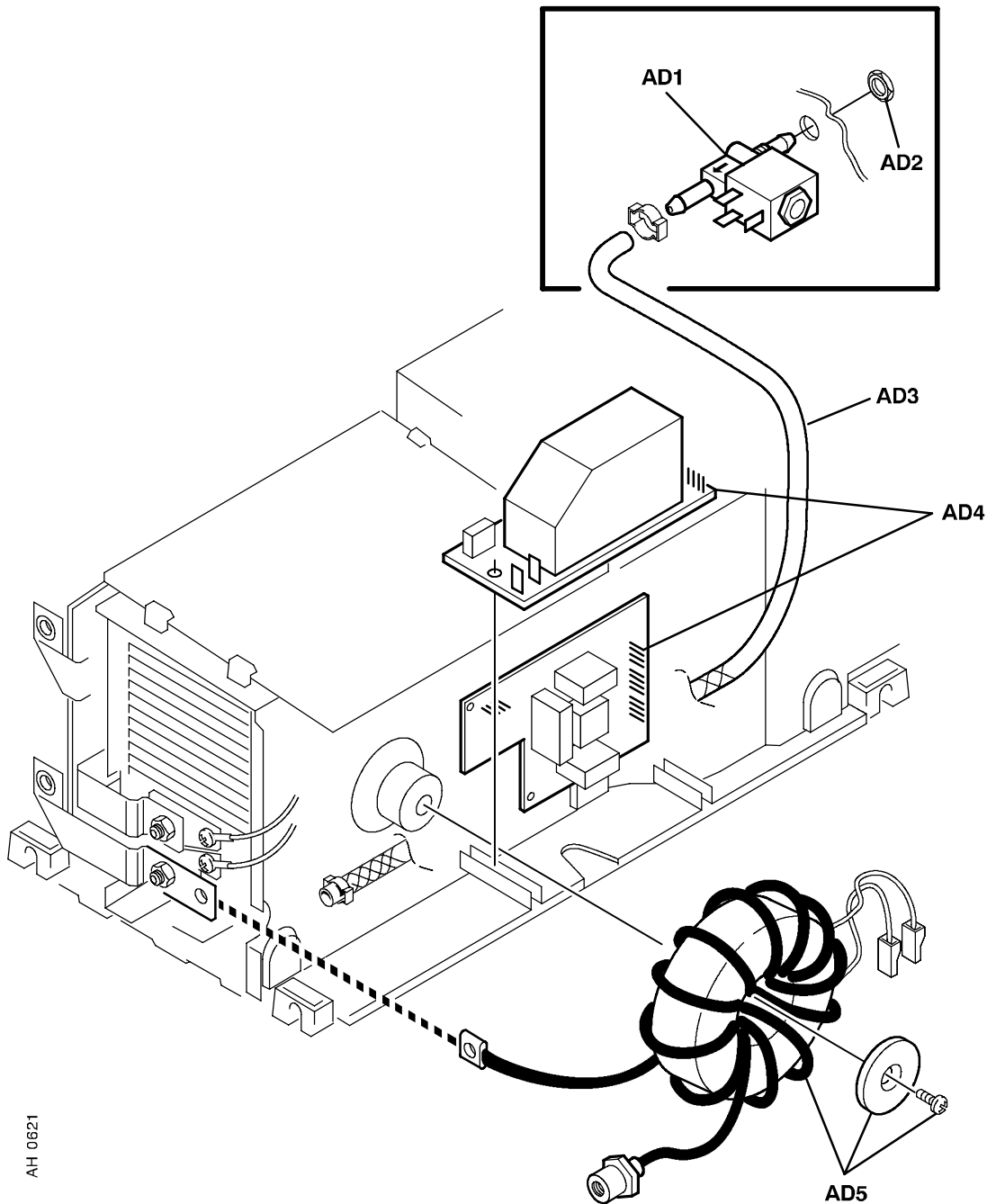


AH 0620a

**Caddy Tig 150i, Caddy Tig 200i, CaddyTig 150, CaddyTig 200**

**C = component designation in the circuit diagram**

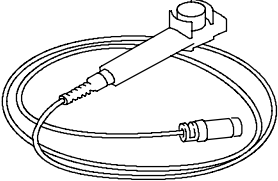
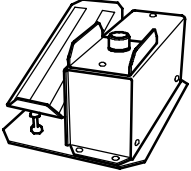


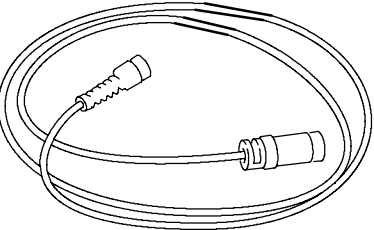
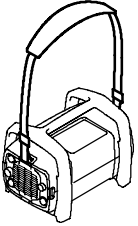
| Item | Qty | Ordering no. | Denomination      | Notes                                     | C            |
|------|-----|--------------|-------------------|---|--------------|
| AD1  | 1   | 0193 054 005 | Solenoid valve    | 230 V AC                                  | 10YV1        |
| AD2  | 1   | 0194 130 120 | Nut               |   |              |
| AD3  | 1   | 0456 496 001 | Hose              | D = 9/5 mm, L = 0.57 metre reinforced PVC |              |
| AD4  | 1   | 0487 028 880 | Circuit board TIG |   | 10AP1        |
| AD5  | 1   | 0459 389 880 | HF coil, complete |   | 10TV1, 10XS1 |

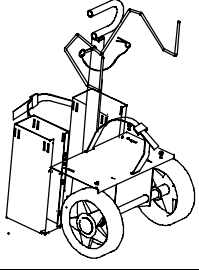


AH 0621



**Accessories**

|   |   |
|---|---|
|   | <b>MMA welding and return cable kit</b> . . . . . 0349 501 078<br>("crocodile" type holder)   |
|   | <b>MMA welding and return cable kit</b> . . . . . 0349 501 079<br>("screwe" type holder)  |
|    | <b>Remote control MMA 1</b> (10 m cable) . . . . . 0349 501 024<br>MMA and TIG: current   |
|    | <b>Foot control FS002</b> . . . . . 0349 090 886<br>MMA and TIG: current  |
|   | <b>Remote control unit AT1</b> . . . . . 0459 491 896<br>MMA and TIG: current   |
|  | <b>Remote control unit AT1 CF</b> . . . . . 0459 491 897<br>MMA and TIG: rough and fine setting of current.   |
|  | <b>Remote cable 12 pole - 8 pole</b><br>5 m . . . . . 0459 552 880<br>10 m . . . . . 0459 552 881<br>15 m . . . . . 0459 552 882<br>25 m . . . . . 0459 552 883 |
|  | <b>Shoulderstrap</b> . . . . . 0459 367 880   |

|   |  |
|---|--|
|  | <b>Trolley small gas bottle</b> ..... 0459 366 880 |
| <b>TIG Torch</b> ..... 0458 218 890<br>BTF 150 OKC25                              |  |